



Casters (5pcs)

Base (1pc)

Cylinder (1pc)

Back (1pc)

M8 Bolts to back (3pcs)

Seat (1pc)

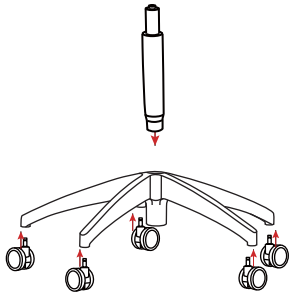
Mechanism (1pc)

1/4"x2" Bolts to Mechanism(2pc)

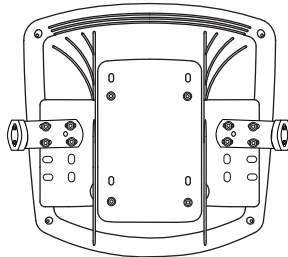
1/4"x1-3/8" Bolts to Mechanism(2pc)

Arms (2pc)

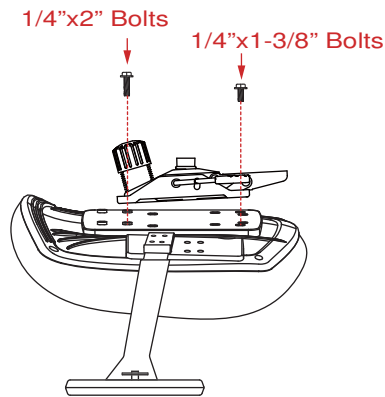
1/4"x1-1/8" Bolts to arm (8pcs)



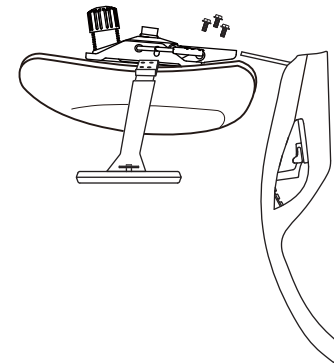
1. Place the Cylinder and Casters firmly into the Base.



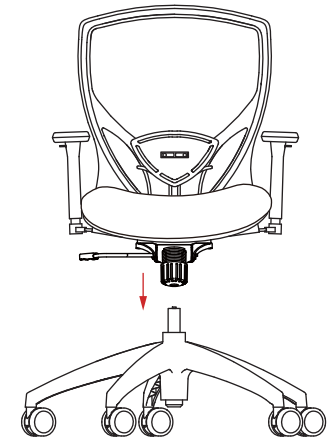
2. Place the Seat as shown. Adjust the right and left arms to be symmetrical, then tighten all bolts to the Arms. The bolts are already prepared in the Seat.



3. Place Mechanism on top of Seat as shown, use Bolts to mount the Mechanism to Seat. The Bolts and Spacers are already prepared in the Seat.



4. Assemble the Back to the Seat, tighten the Bolts firmly. M8 Bolts are already prepared in the Back.



5. Insert Cylinder into the housing of the Mechanism attached to the Seat.

Warning: Upon completion of the final assembly step, place chair on level ground. Make sure all 5 casters are level. Do not stand on this chair. Use this product for seating one person at a time. Do not use this chair unless all bolts and screws are firmly secured. Check the following at 4 month intervals: All exposed fasteners should be checked and loose fasteners tightened. Use appropriate tools. Replace any fasteners that appear to be damaged in any way. The chair frame should be checked for looseness, excessive wear, or signs of damage.